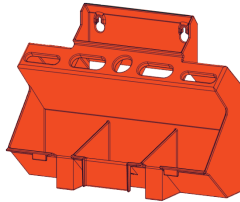


VERTICAL ORGANIZER™

Installation and Use Instructions

Compatible with Little Giant® Quick-N-Lite™, Xtra-Lite™, and MightyLite™ ladders.

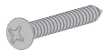
Included Components:



**Vertical Organizer
Accessory**



(2) Drywall Anchors



(2) Screws

Tools Needed:



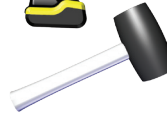
Level



Marker or Pencil



Drill with a 1/4" bit

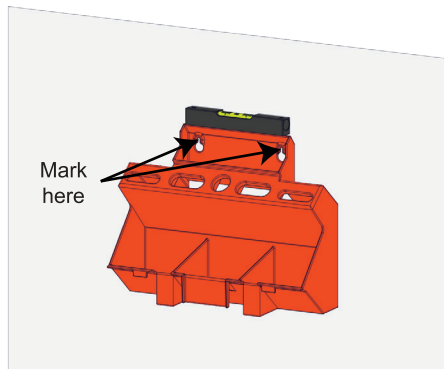


Mallet

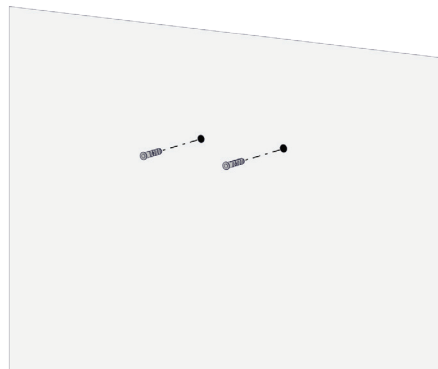


Phillips Screwdriver

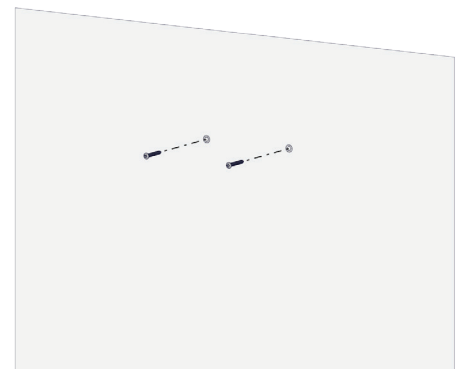
Wall Mounting Instructions:



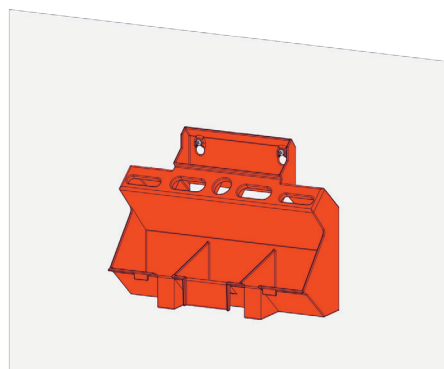
Using a level, hold the Vertical Organizer in the desired location on the wall, then mark inside the mounting holes with a marker or pencil, and remove the Vertical Organizer from the wall.



Drill through the marks with a 1/4" drill bit. Then, insert the drywall anchors into the holes and tap them flush with a mallet.



Screw the screws into the anchors using a Phillips screwdriver. Leave the screws sticking out about 1/4"



Hang the Vertical Organizer on the screws. It is now ready for use.

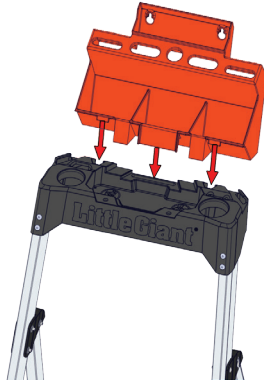


Quick-N-Lite™, Xtra-Lite™, and MightyLite™ ladders can be hung on the Vertical Organizer for storage.

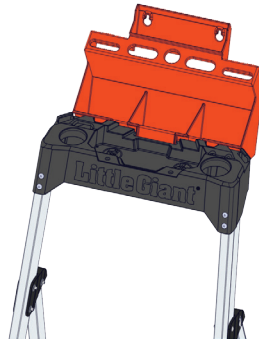
VERTICAL ORGANIZER™

Installation and Use Instructions (continued)

For Use on Ladder Top Cap:



To attach to the top cap of Quick-N-Lite™, Xtra-Lite™, and MightyLite™ ladders, locate the tabs on the front of the Vertical Organizer, and align them with the holes in the top cap.



Slide the Vertical Organizer down into position, making sure the tabs securely engage.



It is now ready for use, and can be loaded with up to 20 lbs. of tools, nails, screws, etc.

Little Giant Limited One-Year Warranty:

We put our products through rigorous tests to ensure that your accessory is built to the highest standards. In the unlikely event that within the warranty period from the date of the original purchase, there is a problem caused by defects in either workmanship or materials, we'll be happy to repair or replace, at our option and without cost to the original purchaser. All we ask is that you return your accessory to our manufacturing facility. If it is determined that the problem is covered by our warranty, we'll take care of the rest. All freight to and from the factory is to be paid by the customer. If a replacement is necessary and your product is no longer available, a comparable product will be substituted.

Little Giant accessories are tested to withstand normal wear and tear, but are not indestructible and can be damaged by misuse. Our warranty, just like other warranties worldwide, will not cover wear and tear, misuse and/or abusive treatment. But we do ensure a timely resolution at a fair price. Misuse may include, but is not limited to, damage by vehicles, tools, people, animals, falling objects, acts of God, and using your accessory in any matter contrary to the warning/instruction labels and owner's manual.

This shall be in lieu of any other warranty, expressed or implied, including, but not limited to, any implied warranty of merchantability or fitness for a particular purpose. The liability of Little Giant Ladder Systems under this warranty shall be limited solely to repair or replacement of the accessory within the warranty period; and Little Giant Ladder Systems shall not be liable, under any circumstances, for consequential or incidental damages, including but not limited to, personal injury or labor costs. Some states do not permit the exclusion or limitation of incidental or consequential damages, so this exclusion may not apply to you. This warranty gives you specific legal rights and you may have other legal rights, which may vary, from state to state. Manufacturing specifications are subject to change without notice.



Little Giant Ladders



@RealLittleGiant



LittleGiantLadderSystems



LittleGiantLadderSystems

Customer Care: 800-453-1192 or 801-489-3684 • Monday - Friday, 7am - 5pm MST
Little Giant Ladder Systems • 1198 North Spring Creek Place • Springville, UT 84663 • USA
www.LittleGiantLadders.com